



(12) **EUROPEAN PATENT APPLICATION**

(21) Application number: **94112413.3**

(51) Int. Cl.⁶: **G02F 1/31, H04B 10/213**

(22) Date of filing: **09.08.94**

(30) Priority: **10.08.93 IT TO930602**

(72) Inventor: **Calvani, Riccardo**
Strada Chieri, 30/1
Pino Torinese (Torino) (IT)
 Inventor: **Vezzoni, Emilio**
Via Carisio, 21
Torino (IT)

(43) Date of publication of application:
15.02.95 Bulletin 95/07

(84) Designated Contracting States:
DE FR GB IT NL SE

(71) Applicant: **CSELT Centro Studi e Laboratori**
Telecomunicazioni S.p.A.
Via Guglielmo Reiss Romoli, 274
I-10148 Turin (IT)

(74) Representative: **Riederer Freiherr von Paar zu**
Schönau, Anton et al
Lederer, Keller & Riederer,
Postfach 26 64
D-84010 Landshut (DE)

(54) **Device for extraction and re-insertion of an optical carrier in optical communications networks.**

(57) The device includes a first optical circulator (C1) connected in series with the line (1e, 1u) in order to receive a signal stream including a carrier to be extracted, modulated by an information signal, and to transmit a signal stream including the same carrier, re-inserted into the stream after having being modulated with another information signal, and a second optical circulator (C2) connected to local information processing means, to which it supplies the extracted carrier and from which it receives the carrier to be re-inserted. Between the two circulators there is an optical-fibre bandpass filter (FP) that can be tuned to the carrier wavelength.

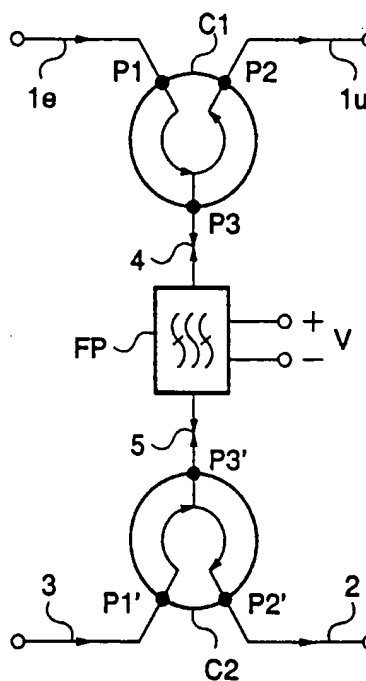


Fig. 2

ADi

EP 0 638 837 A1

The present invention relates to optical communications networks and more particularly it concerns a device for extraction from an optical signal stream of a carrier, modulated by an information signal, and re-insertion into the stream of another carrier at the same wavelength, modulated by a different information signal.

Devices of this type can be used for example in wavelength-division multiplexing communications networks, for extraction from the line of information for a certain user and re-insertion in the line of information generated by the same user. Indeed, in such networks information is usually broadcast and selected, i.e., information from each user is broadcast to all others, and each user, in order to extract information of concern to him, must select a certain wavelength from the set of wavelengths present on the line. Another application is found for example in the routing nodes of re-configurable optical networks, to re-route certain information streams due to changed conditions in the traffic or to by-pass a fault downstream from a node.

For the implementation of devices of this type, the use of tunable acousto-optical passband filters based on TE/TM polarisation converters was proposed. Examples of these are found in the papers "A fully transparent fiber-optic ring architecture for WDM networks", by M. I. Irshid and M. Kavehrad (Journal of Lightwave Technology, Vol. 10, No. 1, January 1992, pages 101-108) and "Wavelength-division-multiplexing add/drop multiplexer employing a novel polarisation independent acousto-optical tunable filter" (Electronics Letters, Vol. 29, No. 10, May 13, 1993, pages 905-907).

In particular, the device described in the latter paper is a two-input, two-output device including a pair of optical circulators, one of them being connected to the line and the other to a local processing device, and a polarising beam splitter-recombiner and a TE/TM acousto-optical converter connected between the two circulators. The two ports of the converter are connected to the circulators through respective sections of polarisation maintaining optical fibres, one of which rotates by 90° the polarisation of the beam traversing it. The radiation in the line, usually elliptically polarised, is transferred from the first circulator to the splitter-recombiner, that splits it into two beams with orthogonal polarisation. The beam with TE polarisation is reflected and sent to one of the ports of the converter; the beam with TM polarisation, which is transmitted, goes into the fibre section which rotates by 90° its polarisation, thus likewise arriving with TE polarisation to the other port of the converter. The two beams traverse the converter in opposite directions. If the wavelength of the two beams is one of those the filter is tuned to, the beams leave the filter with TM polarisation and are

again sent to the splitter-recombiner. The beam traversing the fibre section which rotates the polarisation reaches the splitter-recombiner with TE polarisation and is reflected back towards the second circulator; the other beam maintains its TM polarisation and is transmitted towards the second circulator. The recombined beam is then sent to the local processing device. For any other wavelength, the polarisation state of the two beams is left unchanged by the filter and the two beams are again sent from the splitter to the first circulator, so that the recombined beam is re-inserted into the line. Similarly, a radiation introduced through the second circulator is transferred to the line through the first circulator if its wavelength is one of those the filter is tuned to.

The known device allows extraction and re-insertion of several carriers at the same time: however, it has a few limitations. Its main shortcoming is the low selectivity of tunable acousto-optical converters, which can only separate wavelengths if these are at least a few nanometres apart, thus limiting the system capacity relative to the available bandwidth. Another shortcoming is that the device can introduce selective attenuation of the two field polarisation components, so that the polarisation of the output signal may differ from that of the input signal. Moreover, acousto-optical polarisation converters are not easily found on the market.

According to the invention on the contrary, a device is provided that only uses components that are easily found on the market and have much greater selectivity than an acousto-optical converter, so that it can also be used in wavelength-division systems having very closely spaced channels; moreover the device operates independently of polarisation, as each of its components is polarisation-independent.

The device according to the invention includes:

- at least a first three-port optical circulator, having an input port connected to a line on which an optical signal stream is present that includes the carrier or a carrier to be extracted, and an output port connected to a line which carries an optical signal stream that includes the carrier or a carrier re-inserted;
- at least a second three-port optical circulator, having an input port connected to means to generate the carrier or a carrier to be re-inserted and an output port connected to means to receive the carrier or a carrier extracted; and
- at least one optical bandpass filter, connected between an input-output port of the first circulator and an input-output port of the second circulator, and is characterized by said optical filter being a finely wavelength-tunable

filter capable of transmitting the wavelength corresponding to the passband and reflecting all other wavelengths, so that the carrier or a carrier to be extracted is transferred from the first to the second circulator and the carrier or a carrier to be re-inserted is transferred from the second to the first circulator, while letting carriers at other wavelengths to pass from the input port to the output port of the circulators.

Advantageously, the filter is a resonant cavity optical fibre filter, associated with means to adjust the cavity length for wavelength tuning.

The basic idea of the invention is to exploit, for the add-drop multiplexing function (insertion and extraction of an optical carrier), a filter which transmits the wavelength corresponding to its passband and reflects all other wavelengths. In this way, the device can have a very simple structure. Resonant filters can have such characteristics and allow the high selectivity (and fine tuning) demanded. An optical fibre Fabry-Perot resonator is preferred example of a commercially available filter, but other types of resonant filter exist, e.g. grating filters, Fabry-Perot resonators not using optical fibres etc.. The selectivity requested depends e.g. on the characteristics of the system in which the device is used.

The present invention will be made clearer with reference to the following annexed drawings, in which:

- Figure 1 shows an example of optical communication network using the invention;
- Figure 2 depicts the device according to the invention, for extraction and re-insertion of one carrier at a time; and
- Figure 3 depicts the device according to the invention, for extraction and re-insertion of several carriers at the same time.

Figure 1 shows an optical fibre communications network made up by a certain number of nodes, connected by a ring transmission line 1, carrying a wavelength-division multiplexed information stream that includes several carriers respectively at wavelengths $\lambda_1, \lambda_2 \dots \lambda_n$, assumed for simplicity to be as many as the nodes.

Again for simplicity of description the ring is assumed to have only one fibre.

Each node includes a device AD_i (i = 1, 2...n) for extraction from line 1 of the information meant for the node and for insertion onto line 1 of the information generated by the node, as well as means for local processing of information, namely an optical transmitter Tx_i that sends along the line a carrier at wavelength λ_i , and one or more optical receivers, shown in the whole at Rx_i. The device AD_i, which is the subject matter of the invention, must be capable of inserting onto the line the

carrier λ_i generated by Tx_i and provide receivers Rx_i with any of the carriers available in the line, including carrier λ_i since, as usual in ring communication systems, each node must cancel the information it generates after such information has gone around the ring. References 2-1, 3-1...2-n, 3-n denote optical fibre sections connecting devices AD to transmitter Tx and receivers Rx.

Figure 2 shows the structure of one of the devices AD_i in the simplest case in which the same carrier must be inserted onto and extracted from the line. The device includes an input circulator C1 and an output circulator C2, implemented in micro-optics, and a band pass filter FP tuned to the wavelength of interest.

Circulators C1, C2 are three-port elements. One-way ports P1, P2 of C1 are respectively connected to the input branch 1e and to the output branch 1u of line 1, and are an input and an output of device AD; two-way port P3, is connected to a fibre section 4 allowing signal transfer from circulator C1 to filter FP and vice-versa. Similarly, ports P1', P2' (one-way) and P3' (two-way) of C2 are connected to fibre sections 2, 3 and to a further fibre section 5 allowing signal transfer from circulator C2 to filter FP and vice-versa.

The bandpass filter FP is a high wavelength selectivity, low attenuation filter, which must transmit the wavelength corresponding to the passband and reflect all other wavelengths. For example, it can be a Fabry-Perot cavity resonator, with a mirror at the termination of one of the fibres 4, 5 and another on the surface of an element associated to the other fibre, said element having a size comparable to that of the cavity and practically the same refractive index as the fibre core. A voltage-controlled piezo-electric device associated with the element shifts it so as to vary the cavity length and thus tune the filter. The structure of a tunable Fabry-Perot filter is described for instance in the paper "A field-worthy, high performance tunable fiber Fabry-Perot filter", submitted at the Conference ECOC'90, 16-20 September 1990, Amsterdam. Both the circulators and the tunable Fabry-Perot resonators are commercially available components.

It can immediately be seen that the device described actually extracts and re-inserts an optical carrier. Indeed, a Fabry-Perot cavity, as it is well known, transmits a radiation at the wavelength it is tuned to and reflects radiation at all other wavelengths, provided they are sufficiently spaced apart from the tuning wavelength. Therefore, the various carriers present on branch 1e of the line pass to the fibre section 4 through ports P1, P3 of circulator C1. The filter FP is transparent to the carrier at wavelength λ , which proceeds to fibre 5 and then to the appropriate receiver Rx_i; all other

wavelengths are reflected by FP and proceed to the output branch 1u of the line through ports P3, P2 of C1. Similarly, a carrier at the wavelength generated by Tx_i and present at the input 3 of C2 can traverse the filter FP in the opposite direction and be inserted into the wavelength-division multiplex at the output 1u of the device along the path: ports P1', P3' of C2, fibre 5, FP, fibre 4, ports P3, P2 of C1.

For extraction or insertion of another carrier, it suffices to vary control voltage V so as to vary the wavelength the filter is tuned to.

Should the device be used to re-route information at a routing node of the network, rather than to extract information for a particular user and send along the line information generated by the same, it will extract carriers from an output of the node and will re-insert them at an input giving access to another output.

Figure 3 shows a cascade connection of several devices like device AD_i in Figure 2 to extract and re-insert several carriers at the same time, for instance carriers in the set $\lambda_1, \lambda_2 \dots \lambda_n$ present on line 1 in Figure 1.

Assuming the device should allow insertion and extraction of all the carriers, there will be a chain of n cells, AD₁, AD₂...AD_j...AD_n, each tuned to one of the wavelengths of the set. C1-1...C1-n, C2-1...C2-n, and FP1...FPn are the circulators and the tunable filters of the various cells. Since extraction and re-insertion operations carried out in the various cells inevitably cause losses, if cells are more than a certain number, optical amplifiers must be used to recover the level of the signal to be extracted or inserted. The Figure shows two active fibre optical amplifiers, AM1, AM2, inserted between circulators C1-1, C1-2 and C2-1, C2-2 of cells AD₁, AD₂, which receive the respective pump radiation $\lambda_{p1}, \lambda_{p2}$. Semiconductor amplifiers can also be used.

The operation of the system shown in Figure 3 is clear from what was explained for Figure 2. Assuming that the generic filter FP_j is tuned to the wavelength with the same subscript, the generic carrier λ_j present at input 1e propagates along the chain of circulators C1 until that of the j-th cell, and only at this cell it is transmitted from the filter to circulator C2_j and from the latter to output 2 through the remaining circulators C2. The same applies to one of the carriers at the input 3. Of course, both inputs need not carry all the carriers (for ex., in an application as the one shown in Figure 1, there will be only one carrier at input 3), nor all the carriers present at one input must be extracted or inserted: in such case, it suffices that one or more filters FP are not tuned to any of the set frequencies.

A device as the one described, besides being simple and easily implemented with commercially available components, has the advantage of high selectivity: indeed, a preliminary evaluation carried out on a filter having spectral width in the order of a few Gigahertz, assuming that reflectivity of both mirrors of the cavity is essentially the same, shows that crosstalk is negligible when adjacent channels in the wavelength-division multiplex are spaced apart by a few tenths of nanometre. For comparison, the device using an acousto-optical filter described in the paper from Electronics Letters mentioned above requires, for carrier extraction and re-insertion, a channel spacing in the order of nanometres. Therefore, the invention allows implementation of transmission systems with many more channels in the same bandwidth.

It is clear that what described has been given only by way of non limiting example and that variations and modifications are possible without going out of the scope of the invention.

Claims

1. Device for extraction of at least one optical carrier, modulated by an information signal, from a transmission line (1e) carrying an optical signal stream including several carriers at different wavelengths, and for re-insertion onto the line (1u) of the same carrier modulated by a different information signal, including:
 - at least a first three-port optical circulator (C1) with an input port (P1) connected to the line (1e) to receive the optical signal stream including the carrier or a carrier to be extracted and an output port (P2) connected to the line (1u) to send along it an optical signal stream including the carrier or a carrier re-inserted;
 - at least a second three-port optical circulator (C2) with an input port (P'1) connected to means (Tx₁...Tx_n) to generate the carrier or a carrier to be re-inserted, and an output port (P'2) connected to means (Rx₁...Rx_n) to receive the carrier or a carrier extracted; and
 - at least a bandpass optical filter (FP) connected between an input-output port (P3) of the first circulator (C1) and an input-output port (P'3) of the second circulator (C2),
 characterized in that said optical filter (FP) is a finely wavelength-tunable filter capable of transmitting the wavelength corresponding to the passband and reflect all other wavelengths, so as to transfer from the first circulator (C1) to the second one (C2) the carrier or a carrier to be extracted, and from the second circulator

(C2) to the first one (C1) the carrier or a carrier to be re-inserted, and to let carriers at other wavelengths to pass from input port (P1, P'1) to output port (P2, P'2) of the circulators.

5

2. Device according to claim 1, characterized in that said filter (FP) is a resonant cavity optical fibre filter, associated with means to adjust the cavity length for wavelength tuning.

10

3. Device according to claim 1 or 2, characterized in that it includes several cells ($ADi_1 \dots ADi_n$) each of which is tuned to a different wavelength ($\lambda_1 \dots \lambda_n$) and comprises a first and a second circulator ($C1-1 \dots C1-n$; $C2-1 \dots C2-n$) and a bandpass optical filter ($FP1 \dots FPn$) placed between an input-output port of the first circulator ($C1-1 \dots C1-n$), and an input-output port of the second circulator ($C2-1 \dots C2-n$) such cells being connected so that the first and the second circulators ($C1-1 \dots C1-n$; $C2-1 \dots C2-n$) are respectively cascaded, the first and the second circulator ($C1-1$, $C2-1$) of the first cell (ADi_1) having an input port connected to the line (1e) and respectively to means to generate the optical carriers to be re-inserted and the first and the second circulators ($C1-n$, $C2-n$) of the last cell (ADi_n) having an output port connected to the line (1u) and respectively to means to receive the optical carriers extracted.

15

20

25

30

4. Device according to claim 3, characterized in that it includes, between the first circulators and respectively between the second circulators of at least a pair of contiguous cells, optical amplifiers ($AM1 \dots AM2$) to compensate the power losses introduced by the filters ($FP1 \dots FPn$).

35

40

45

50

55

5

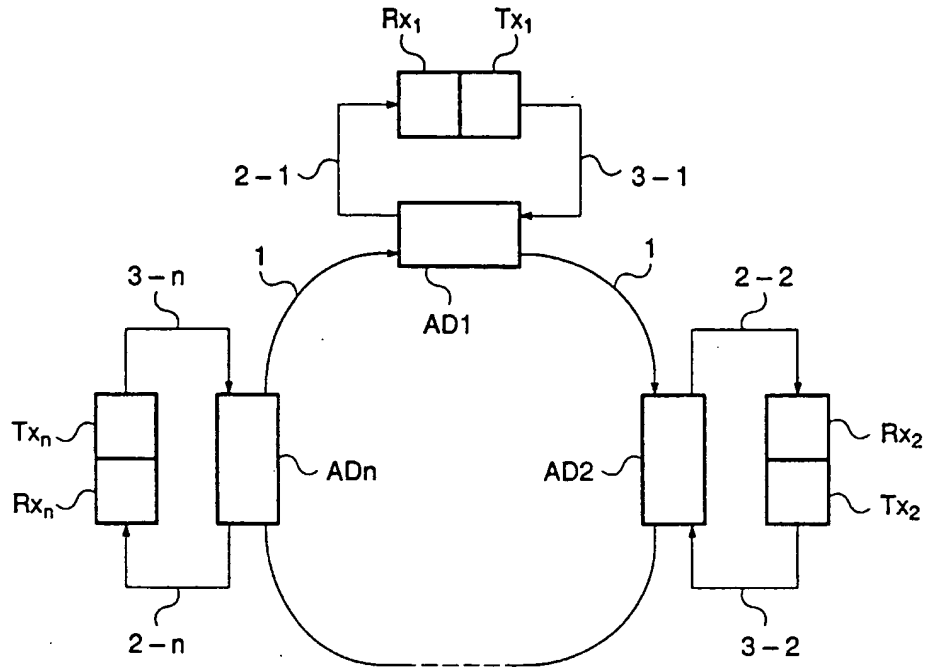


Fig. 1

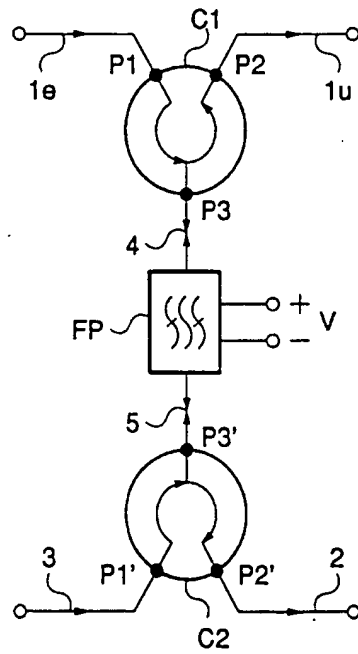


Fig. 2

ADi

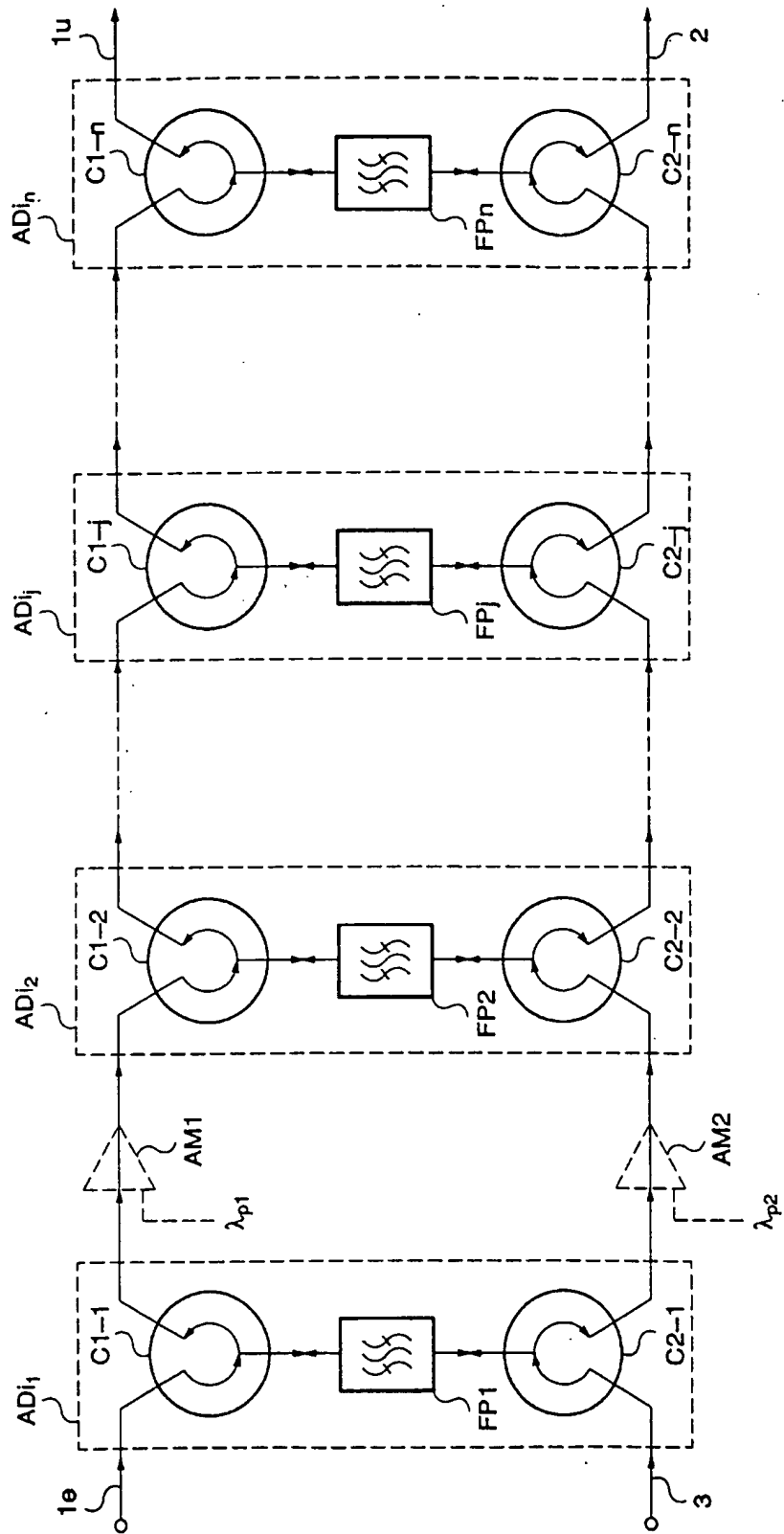


Fig. 3



DOCUMENTS CONSIDERED TO BE RELEVANT			
Category	Citation of document with indication, where appropriate, of relevant passages	Relevant to claim	CLASSIFICATION OF THE APPLICATION (Int.Cl.6)
D,A	ELECTRONICS LETTERS, vol. 29, no.10, 13 May 1993 STEVENAGE GB, pages 905-907, XP 000367666 M.FUKUTOKU ET AL. 'Wavelength-division-multiplexing add/drop multiplexer employing a novel polarisation independent acousto-optic tunable filter' * page 905, right column - page 906, left column, paragraph 1; figure 1 *	1	G02F1/31 H04B10/213
A	IEEE PHOTONICS TECHNOLOGY LETTERS, vol. 5, no.7, July 1993 NEW YORK US, pages 825-828, XP 000394492 K.ODA ET AL. 'An Optical FDM-Add/Drop Multiplexing Ring Network Utilizing Fiber Fabry-Perot Filters and Optical Circulators' * Section ' II. NETWORK CONFIGURATION ' * * figure 1 *	1-4	
A	EP-A-0 361 368 (CANON) * column 5, line 21 - line 45; figure 3 *	1,3	TECHNICAL FIELDS SEARCHED (Int.Cl.6)
A	TRANSACTIONS OF THE INSTITUTE OF ELECTRONICS AND COMMUNICATION ENGINEERS OF JAPAN, SECTION E, vol. E72, no.10, October 1989 TOKYO JP, pages 1086-1088, XP 000074437 MASAFUMI KOGA ET AL 'MULTI/DEMULTIPLEXER USING A 4-PORT OPTICAL CIRCULATOR AND INTERFERENCE FILTERS' * Section '2. Configuration', Figure 1(a)*	1	G02F H04B H04J

The present search report has been drawn up for all claims			
Place of search		Date of completion of the search	Examiner
THE HAGUE		24 November 1994	Wongel, H
CATEGORY OF CITED DOCUMENTS		T : theory or principle underlying the invention E : earlier patent document, but published on, or after the filing date D : document cited in the application L : document cited for other reasons ----- & : member of the same patent family, corresponding document	
X : particularly relevant if taken alone Y : particularly relevant if combined with another document of the same category A : technological background O : non-written disclosure P : intermediate document			